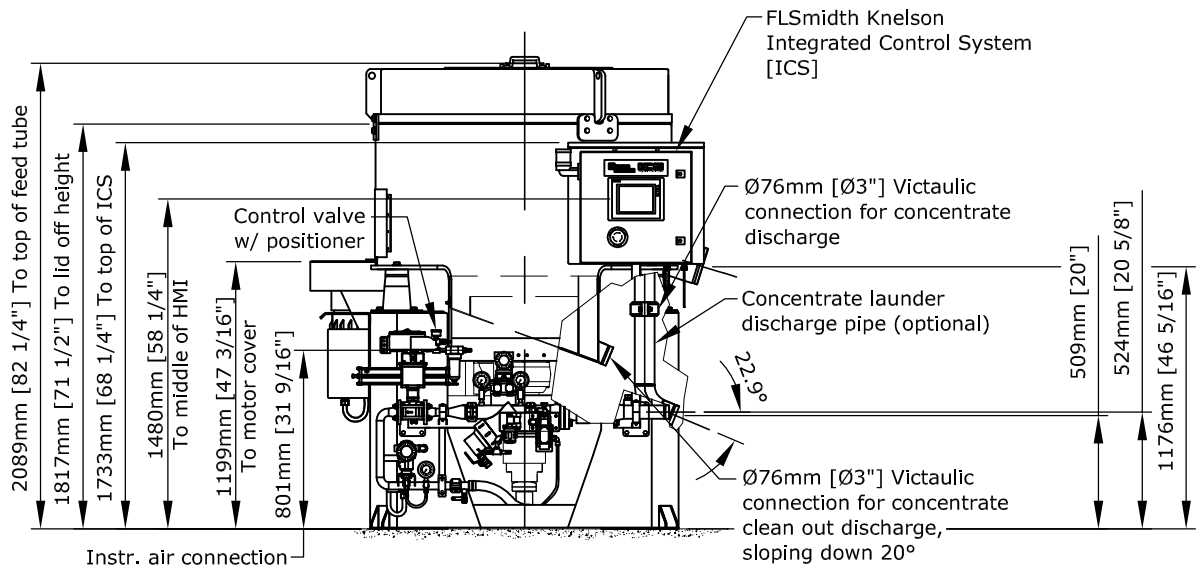
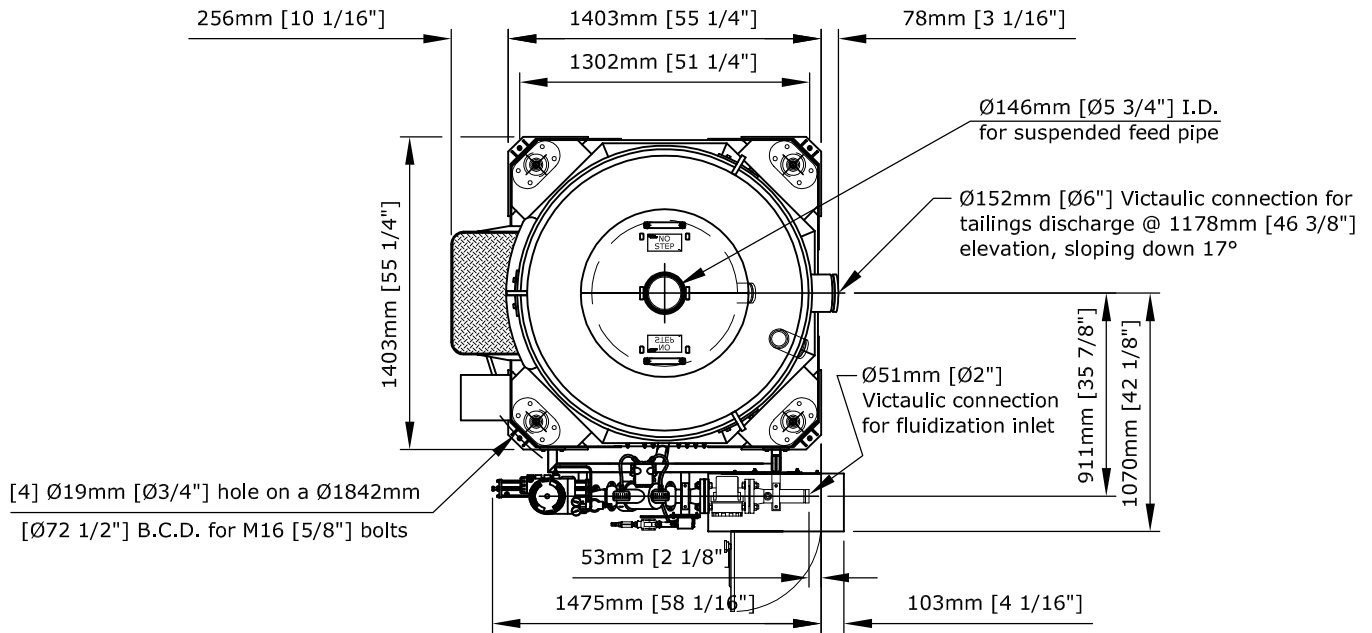


**Knelson Concentrator Model
 KC-CVD20
 Specification Sheet**

Maximum Feed Capacity	- 35 tonnes/hr solids
Maximum Total Volumetric Throughput	- 75m ³ /hr (330USgpm)
Feed Size	- Maximum: 1mm
Feed Density	- 0 - 50% Solids by weight
Minimum Air Flow Required (Auto Piping Only)	- 6.0m ³ /hr (10.2ft ³ /min) @ 600kPa (90psi)
Concentrator Installation Weight	- 2500kg (5512lbs)
Motor	- 11kW (15HP) - Electric
Fluidization Water	- 3 - 9m ³ /hr (15 - 40USgpm)
G-Froce Range	- 30 - 90 G's



Note:
 - Specifications subject to change without notice.
 - All piping to concentrator to be flexible to allow for slight oscillation of unit during operation.
 - Consult FLSmidth Knelson for more detailed operating parameters for your specific application.